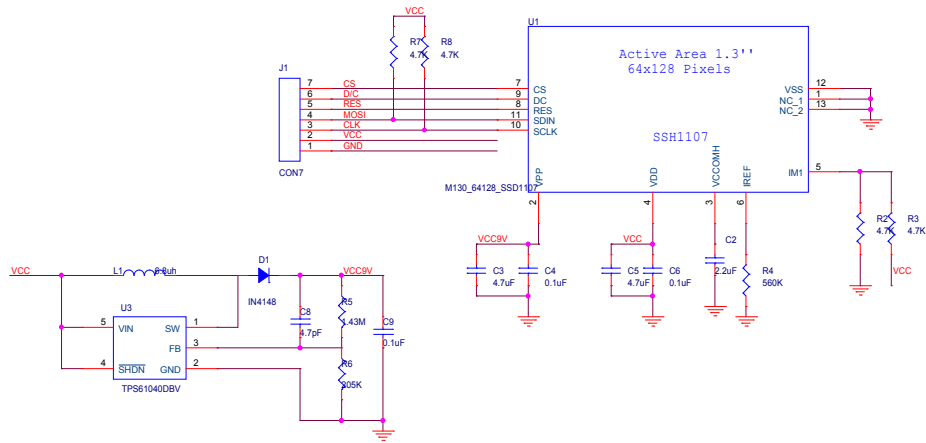


# Specification Sheet

**Model No. :** ZJY057

**Description :** 1.30inch OLED Screen resolution 128\*64  
Size:27.4\*38mm Driver Chip SH1107 interface SPI/IIC 7Pin  
Voltage 3.3V Font Color Option White ZJY057

# 1.3"64x128 OLED display module schematic



SPI/IIC configuration:  
SPI: R2 soldering, R3  
floating IIC: R3  
soldering, R2 floating